

Command 231

Radio code keypad for impulse control

Version

Command 231 868 MHz (Art.-No. 68 328)

Command 231 433 MHz (Art.-No. 68 333)

Safety advice



Attention:

- Please read these instructions carefully before connecting and operating this device!
- Have faulty and defective devices checked by the manufacturer.
- You are not authorized to carry out changes to this device.

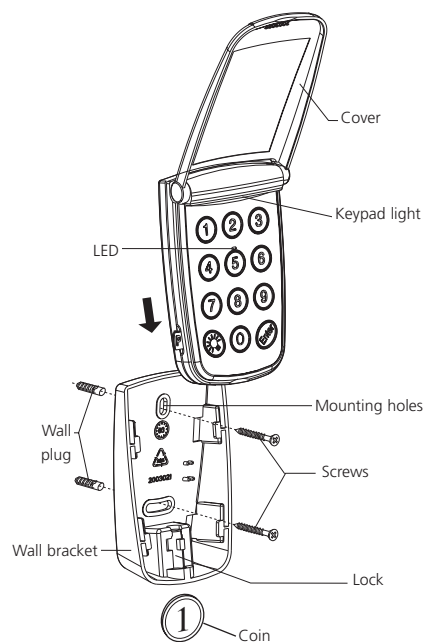
Function

The radio code keypad offers you the possibility to open and close your garage door by entering a 4-digit personal identification number (PIN). It can be programmed, so that up to 3 garage door operators can be actuated with a different code each or one garage door operator can be actuated with up to three different PIN's. Additionally any number can be programmed temporarily as PIN in order to grant a temporary access for certain visitors or service personnel.

Beside this an additional device (e.g. the yard light) can be controlled. For this function ("light function") a further receiver is required.

Installation of the radio code keypad

- Choose a suitable place to install the radio code keypad.
- Take the wall bracket as pattern and mark the place for the two drill holes. Then drill the holes and insert the enclosed wall plugs.
- Screw on the wall bracket by means of the enclosed screws. For surfaces other than wood other screws and wall plugs may be necessary.
- Click the radio code keypad into the wall bracket.
- Take a coin to turn the lock on the bottom side of the wall bracket clockwise to fix the radio code keypad.



Enter PIN and transmit code

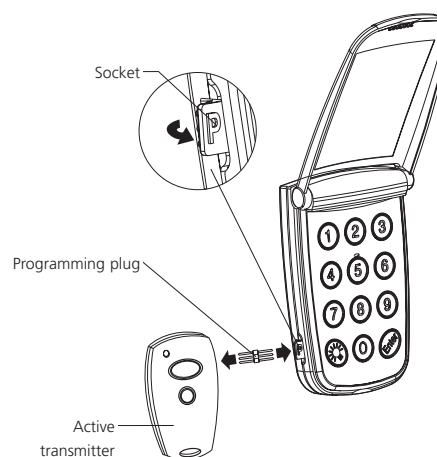
Your radio code keypad is delivered with 1 random code and 1 PIN already programmed. The factory programmed PIN is 1-2-3-4.



Attention:

To program the third code the preset code (random programming) must be overwritten with the PIN 1-2-3-4 and then the PIN 1-2-3-4 must be changed according to the instructions.

In case you already use another radio transmitter to control your garage door operator, the code of this has to be transmitted from the transmitter to the actual radio code keypad.



Transmit the code for the garage door control from one transmitter to the radio code keypad:

- Connect the radio code keypad and the actual transmitter by means of the programming plug.
- Hold the button on the transmitter you control the garage door with. Press the ENTER button on the radio code keypad. The keypad lights up.
- Enter a new 4-digit PIN of your choice. Then press the ENTER button again. Hold the transmitter button until the LED on the radio code keypad flashes quickly.
- Now the radio code keypad has learned the transmitter code and saved under the PIN you have entered. Now you may remove the programming plug.

Transmit the code for light function from one transmitter to the radio code keypad:

- The light function is already programmed with a special code. But you may as well transmit another transmitter code to actuate the light function.
- Connect the radio code keypad and the actual transmitter by means of the programming plug.
 - Hold the specific button on the transmitter you activate the other device with. Press the ENTER button on the radio code keypad. The keypad lights up.
 - Press the LIGHT button and then again the ENTER button. Hold the transmitter button until the LED on the radio code keypad flashes quickly.
 - The radio code keypad has now learned the new transmitter code for the light function. Now you may remove the programming plug.

Save more than 1 code to control more than 1 garage door operator:

- With the radio code keypad you may control up to 3 different garage door operators, each with a different code.
- For each of the 3 codes proceed as described above, but with one exception: You must enter a different PIN for each code, which means each code requires an individual PIN.
- To open or close a certain garage door with the radio code keypad, just enter the respective PIN and then press the ENTER button.

Save more than 1 PIN for the same code:

- Beside the already programmed PIN it is possible to save up to 2 additional PIN's for the same code and to assign these PIN's to different persons.
- Follow the instructions described under "Transmit the code for the garage door control from one transmitter to the radio code keypad" for every single PIN. Repeat these steps for each PIN with the same transmitter. So the same code is saved under 3 different PIN's.

Save a temporary PIN:

- A temporary PIN that is valid only for three actuations can be saved.
- Hold "button 1" for 3 sec. until the LED flashes quickly. Enter the currently valid PIN and then press the ENTER button.
 - Enter a temporary 4-digit PIN of your choice and then press the ENTER button.
 - The LED glows up for 2 sec. Then the keypad light goes off. The radio code keypad is ready for operation again.
 - To use the radio code keypad with the latest temporary PIN enter the 4-digit temporary PIN and then press the ENTER button. You are allowed to use this PIN three times and then it is automatically cleared.

Use of the radio code keypad

To protect the radio code keypad keep the cover closed when it is not in use.

Switch on the keypad light:

- Press the LIGHT button.
The keypad light is on for 5 sec.

Open and close the garage door:

- Enter the programmed 4-digit PIN and then press the ENTER button. The garage door starts to move.
- After having pressed the ENTER button, the radio code keypad remains active for approx. 18 sec. and the LED is on. During this period of time you can stop the garage door by pressing any button (except the LIGHT button).
- Under certain conditions it may be necessary to keep one button pressed so that your garage door control works. In this case enter the 4-digit PIN and then hold the ENTER button. The garage door moves as long as the ENTER button is held.



Advice:

In case a PIN longer than 4 digits is entered, only the last 4 digits are considered as valid. If three wrong PIN's are entered in sequence, the radio code keypad cuts off to prevent unauthorised access. After 2 min. the radio code keypad is ready for use again.

Light function (to switch other devices):

- To actuate another device (e.g. switch on the yard light), press the LIGHT button and then the enter button.
- To switch off the other device (e.g. the yard light), press the LIGHT button again and then the ENTER button.

Change the PIN

- Hold "button 0" for approx. 3 sec. until the LED flashes quickly.
- Enter the PIN to be changed and then press the ENTER button.
- Enter the new 4-digit PIN and then press the ENTER button. The LED is on for 2 sec. (no flashing).
- The radio code keypad is now ready for operation with the new PIN (the old PIN is no longer valid).

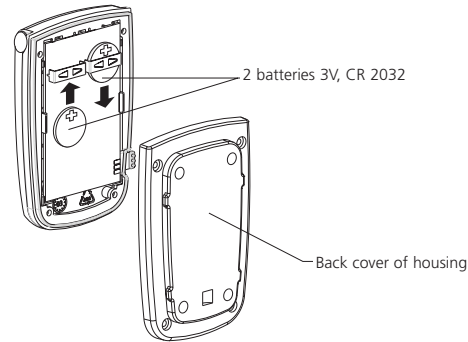
Clear memory

- Press the LIGHT button.
-> After 3 sec. the LED starts to flash quickly.
- Hold the LIGHT button.
- While holding the button, enter PIN 9-9-9-9.
- Release the LIGHT button.
-> The memory is now cleared.
The LED is on for 2 sec.



Advice:

After clearing the memory the radio code keypad is programmed with 1 random code and PIN 1-2-3-4.



Replace batteries

- Take a coin to turn the lock on the bottom side of the wall bracket anti-clockwise. Then take the radio code keypad out of the wall bracket.
- Unscrew the back cover of the housing of the radio code keypad.
- Take out the old batteries.
- Insert 2 new 3V batteries, CR 2032. Observe right poling. Test the function of the unit (The radio code keypad is designed that it will recognize all previously programmed codes and PIN's after change of battery).
- Screw again the back cover of the housing to the radio code keypad.



Advice:

Don't dispose of old batteries in the dustbin! Return them to your dealer or dispose of in a recycling container for used batteries.

Technical details

Frequency:	868 MHz or 433 MHz
Voltage:	2 batteries 3V, CR 2032
Current input:	approx. 11 mA
Size:	70 x 100 x 30 mm (B x H x T)
Weight:	approx. 120 g
Protection category:	IP 54
Range of temperature:	-20°C to 60°C

Designated use

The radio code keypad is to be used to control door operator and to switch on and off electrical devices (power-operated units).

The Declaration of Conformity can be looked up at the manufacturer mentioned in supply documents.

868 MHz

All European Countries except:
BA / BG / YU / LV / RO / RU / SK / SI / UA / BY

433 MHz

All European Countries except:
BA / YU / LT / RU / SI / UA / BY



Short Programming Manual

MARANTEC C231 433 - C231 868

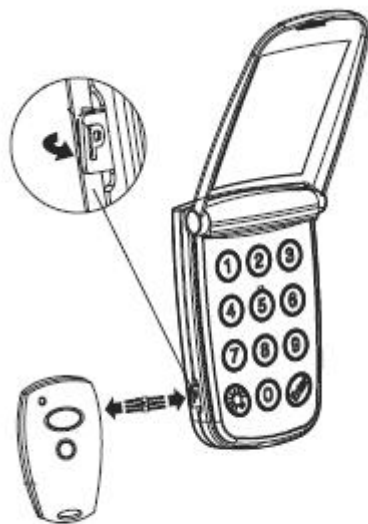


fig 1



fig 2

Programming of your new keyboard:

1. Connect your keyboard to your already-programmed remote control with the supplied clip (fig 1).
2. Press the button on your new remote control that you use to control your motor. Keep it pressed down.
3. Press the ENTER button on the keyboard (fig 2). The lighting of the keyboard illuminates. Let the ENTER button go.
4. Type your PIN code (factory setting=1234). Press the ENTER button.
5. The LED light on the keyboard blinks. Let the button on your remote control go.
6. Wait 10 seconds.
7. Your keyboard is programmed.

ATTENTION: If you do not keep the button on your remote control pressed down until step 4, the programming of your keyboard will fail.