

short manual COMBO C1

for sectional doors

0,55 kW up to 28 m² door leaf
1,00 kW up to 49 m² door leaf

date: 16.03.2017
version: V003.1

Basic settings

(must be set with each time new installation)

- (1) connect existing accessories (e.g. light barrier) instructions for cabling in appendix after p. 12
- (2) switch on device, call up menu p. 2
- (3) setting the language p. 3
- (4) setting the date p. 3
- (5) **load the appropriate setting profile** p. 4
- (6) setting the door position: check the direction of rotation p. 5
- (7) setting the door position: adjust final position p. 5

If selected at step (5), "P1", then continue with...

- (8) setting door position: position 2,50 m p. 6
- (9) learning drive force sensing p.6
- (10) force sensing – check closing force p. 8

If selected at step (5), "P2", then continue with...

- (8) setting door position: position 2,50 m p. 6
- (9) learning drive force sensing p.6
- (10) fade out light barrier in door frame p. 7
- (11) force sensing – check closing force p. 8

If selected at step 5, "P3", then no further step is necessary

If selected at step (5), "P4", then continue with...

- (8) setting door position: position 2,50 m p. 6
- (10) fade out light barrier in door frame p. 7

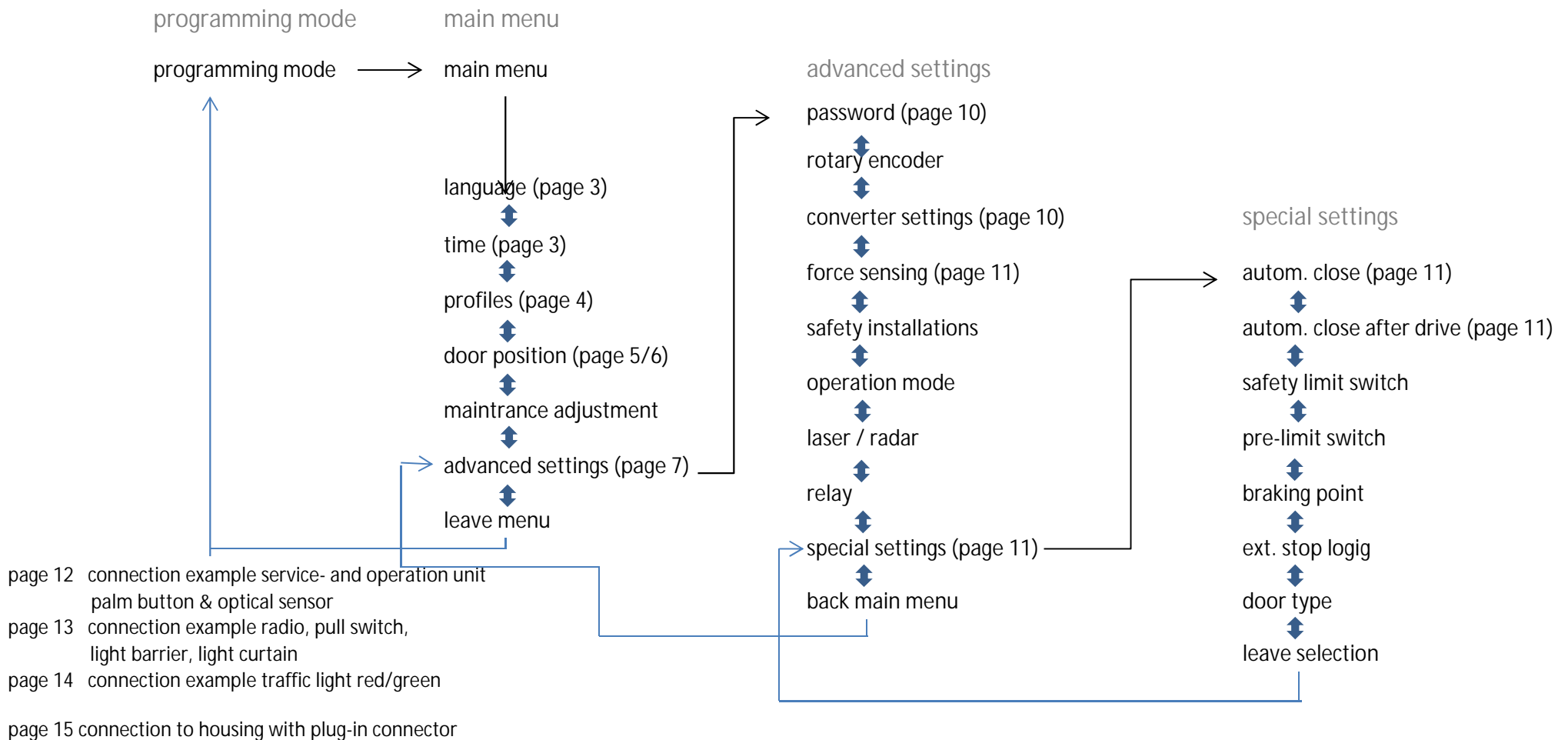
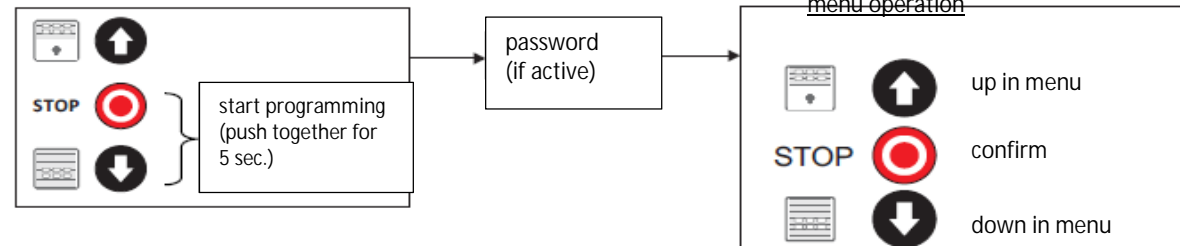


optional settings

- (12)a optional: activate partial opening p. 9
- (12)b optional: deactivate partial opening p. 9
- (13) optional: select password p. 10
- (14) optional: settings frequency converter, adjust speed p. 10
- (15) optional: automatically close according to time p. 11
- (16) optional: force sensing adapt sensibility p. 11

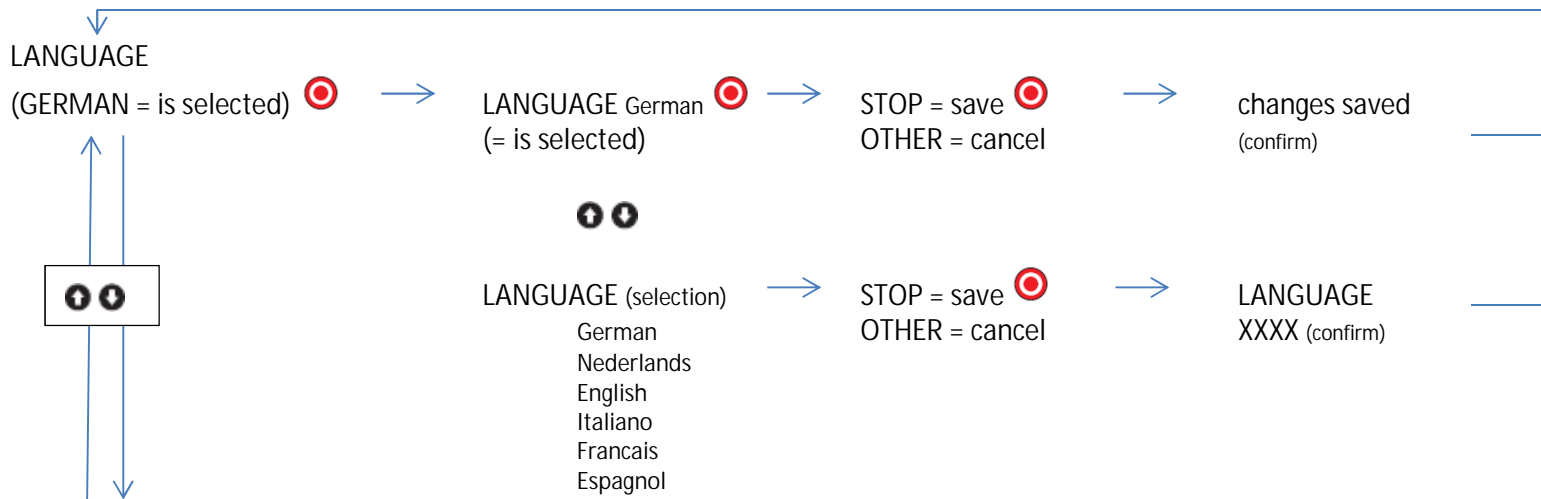
(2) switch on device, call up menu
(start programming)

call up the menu and menu operation
 +  push 5 sec.

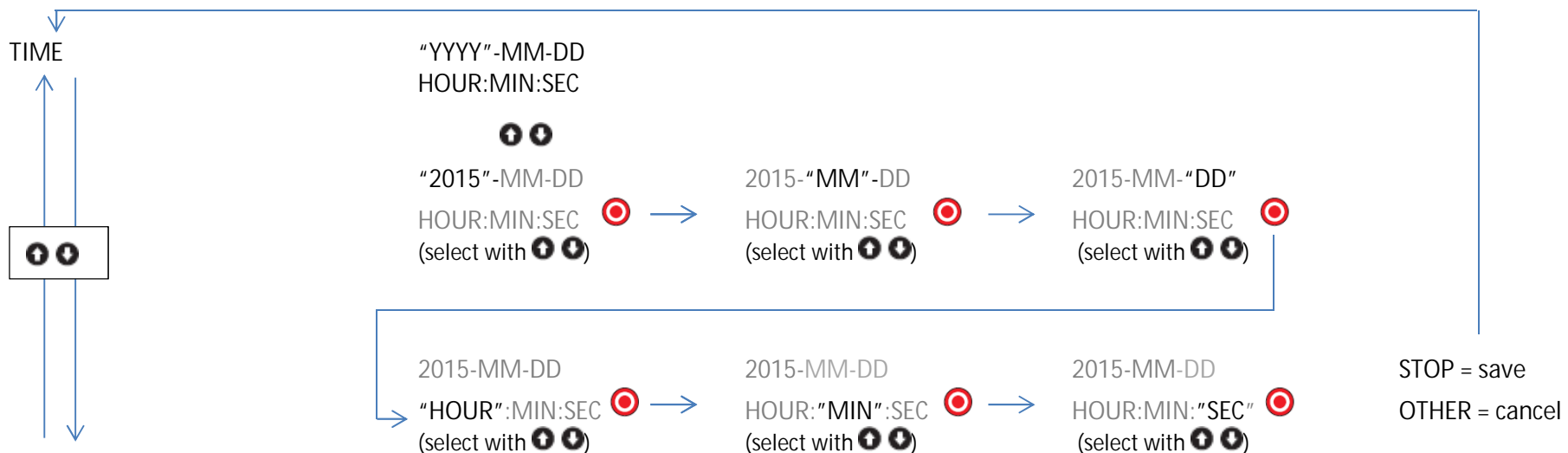


- page 12 connection example service- and operation unit palm button & optical sensor
- page 13 connection example radio, pull switch, light barrier, light curtain
- page 14 connection example traffic light red/green
- page 15 connection to housing with plug-in connector

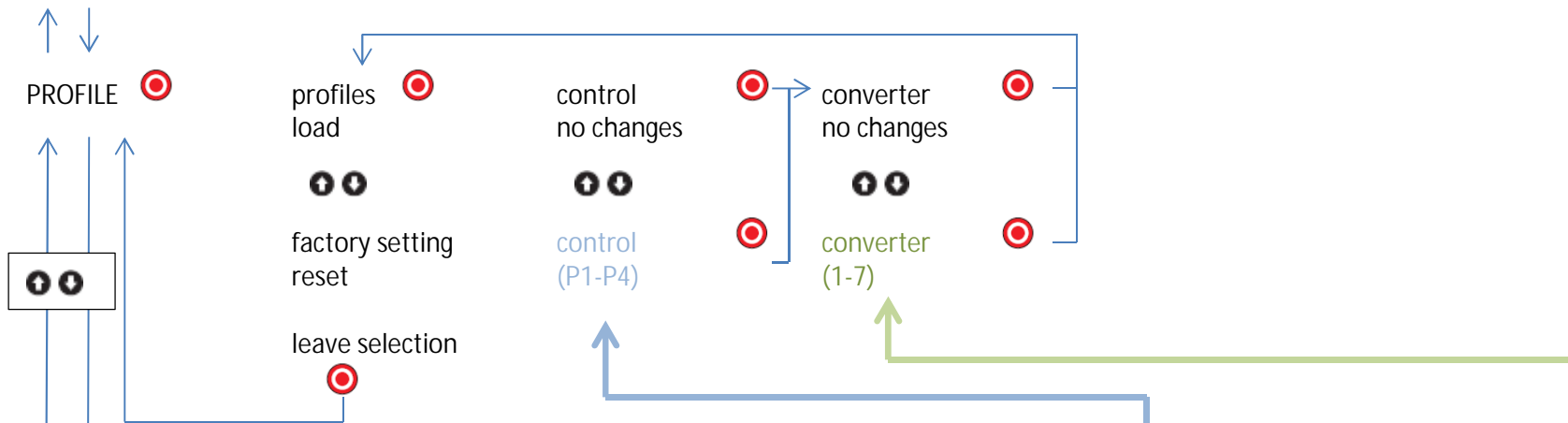
(3) setting language



(4) setting date



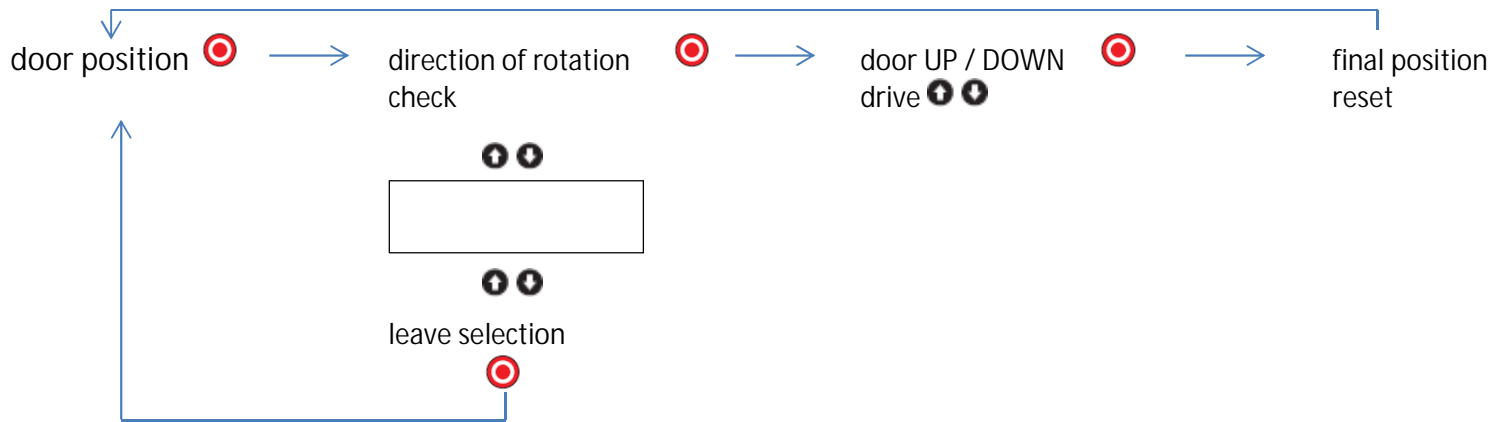
(5) Load the appropriate settings profile



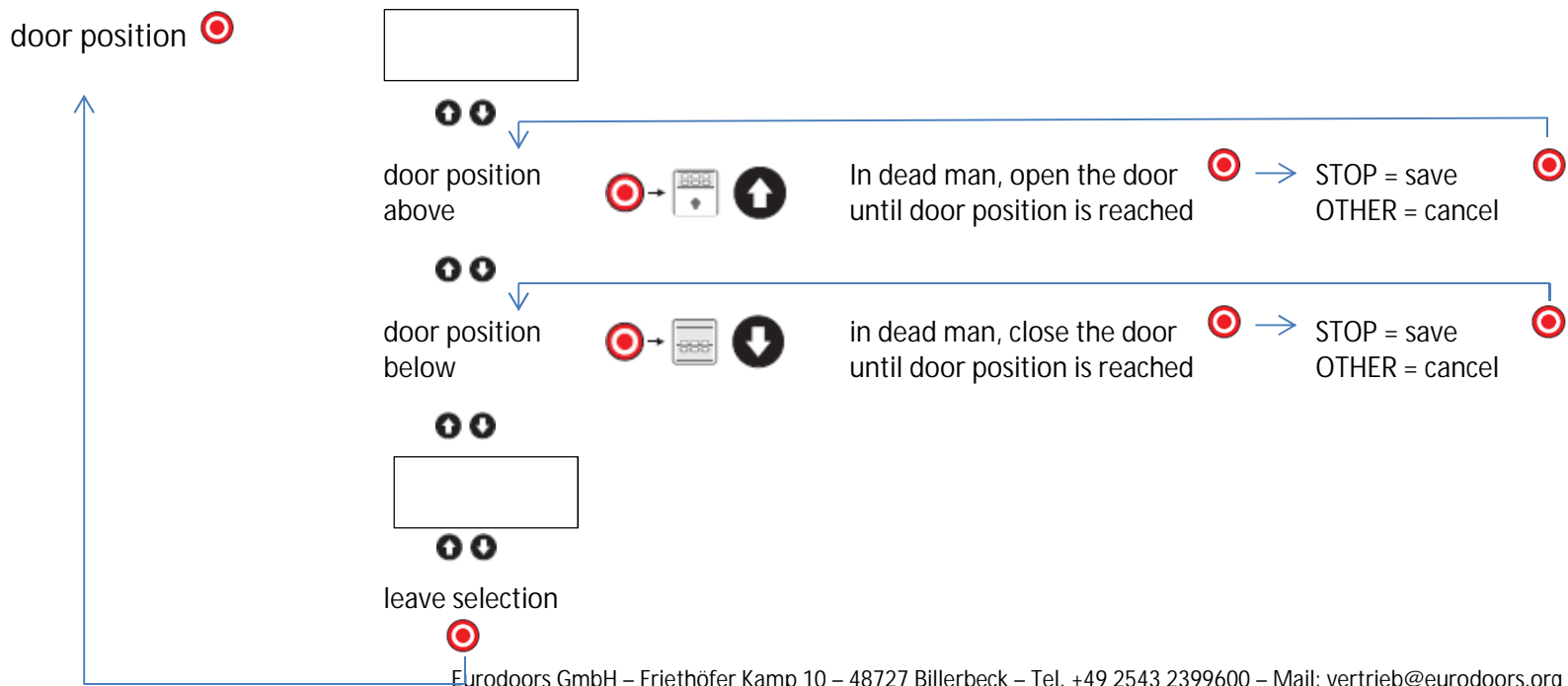
program: control	P 1	P 2	P 3	P 4
light barrier (P & F GD18/GV18/73/120)		X		X
light curtain (Cedes SY-2590-24, SB, F)			X	
close after pass, after 5 sec.		X	X	X
autom. close after 20 sec.		X	X	X
force sensing DOWN	80%	80%		
service – door cycle	25.000	25.000	25.000	25.000
service – time	365	365	365	365
OSE				X

number in display		1	2	3	4	5	6	7
Ø rope drum		126 mm	158 mm	200 mm	190 mm	240 mm	220 mm	280 mm
description		normal lift	normal lift	normal lift	high lift	high lift	vertical lift	vertical lift
								
max. door size	m ²	23 m ²	23 m ²	40 m ²	30 m ²	38 m ²	18 m ²	35 m ²
max. door height		3,50 m	5,50 m	9,75 m	3,00 m	4,20 m	5,00 m	8,40 m

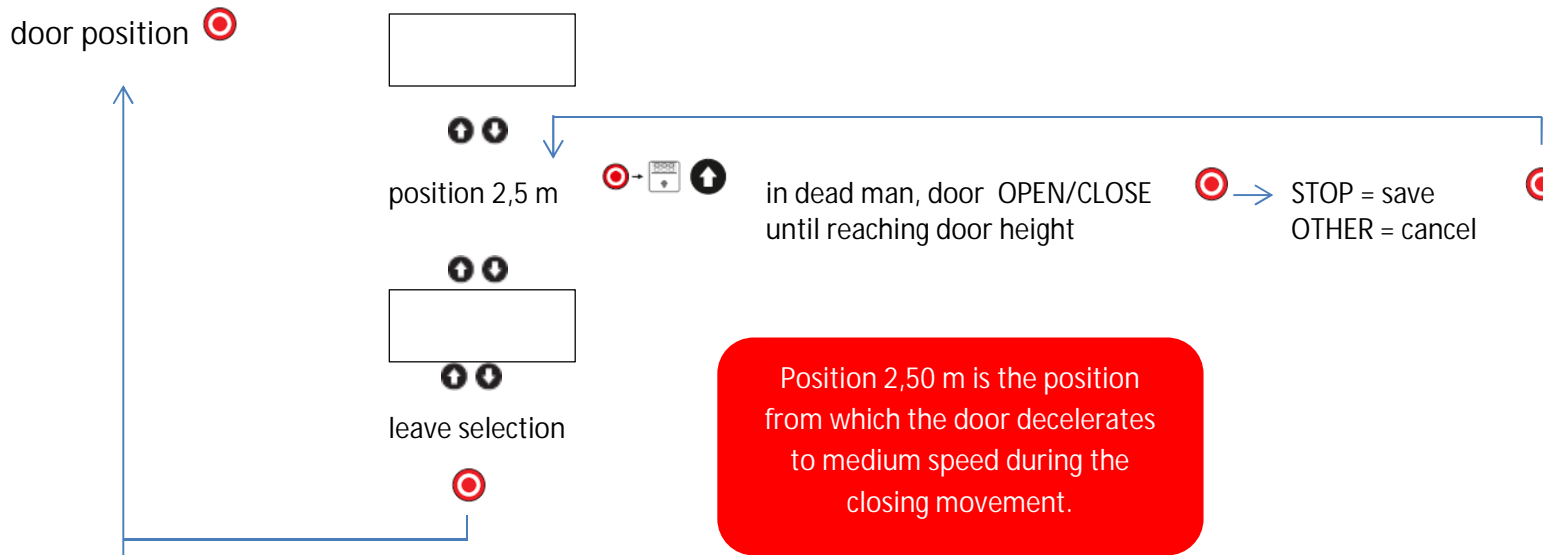
(6) setting the door position: check the direction of rotation



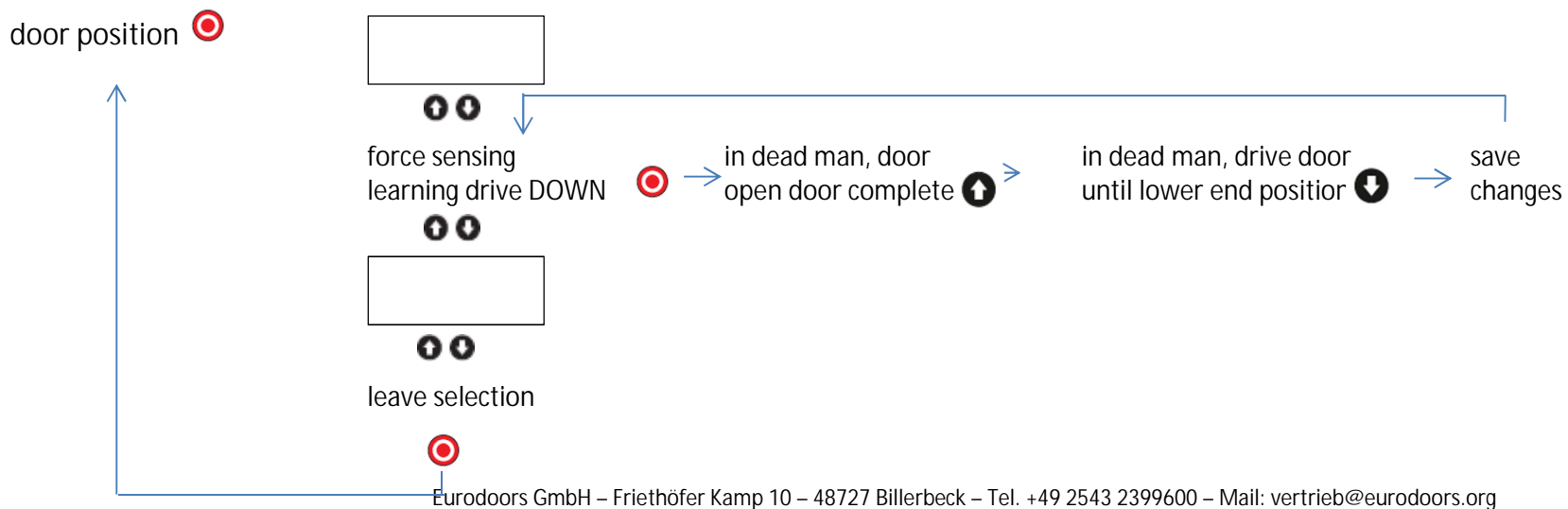
(7) setting the door position: adjust final position



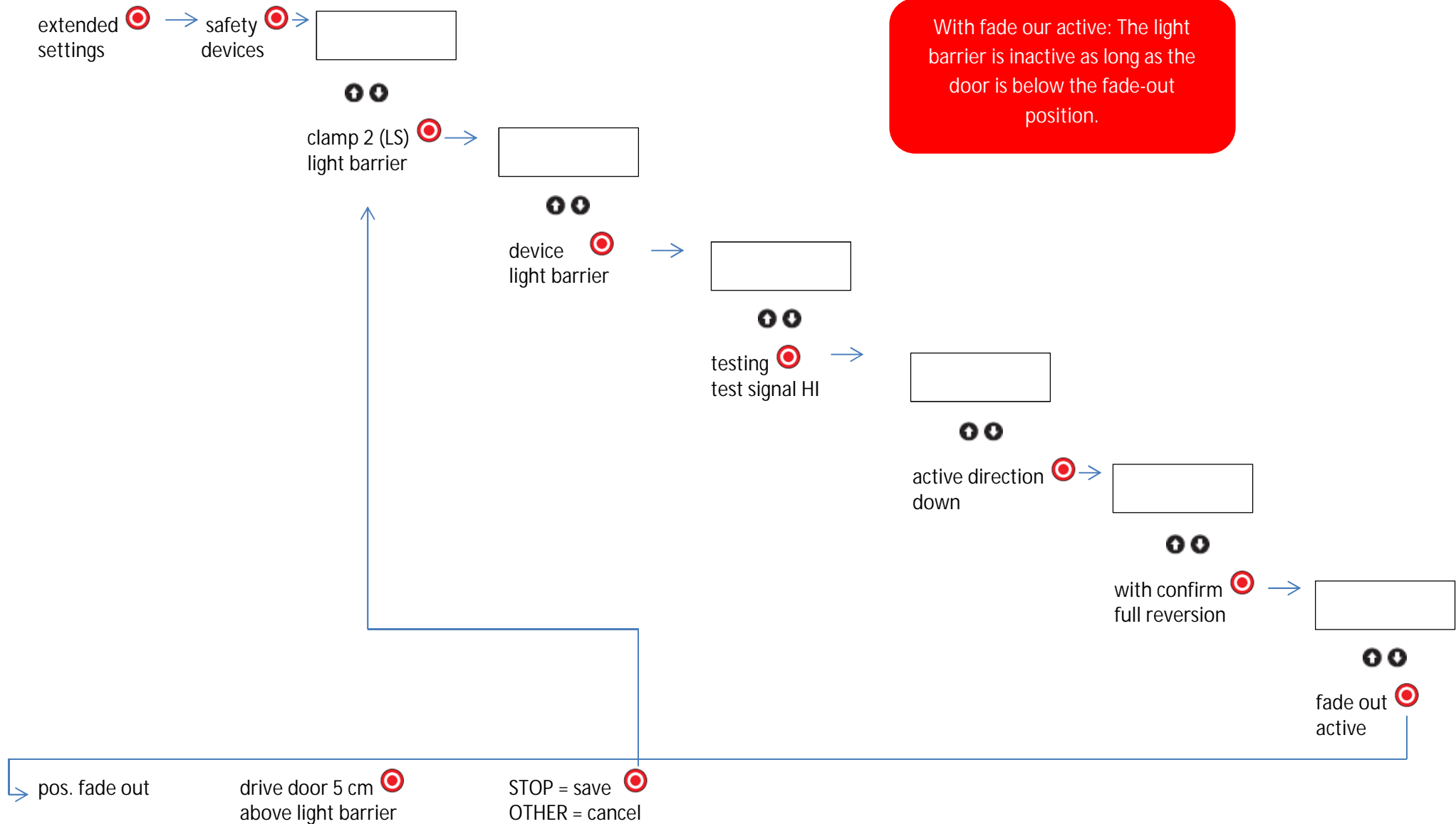
(8) setting door position: position 2,50 m
(only with profile P1 & P2)



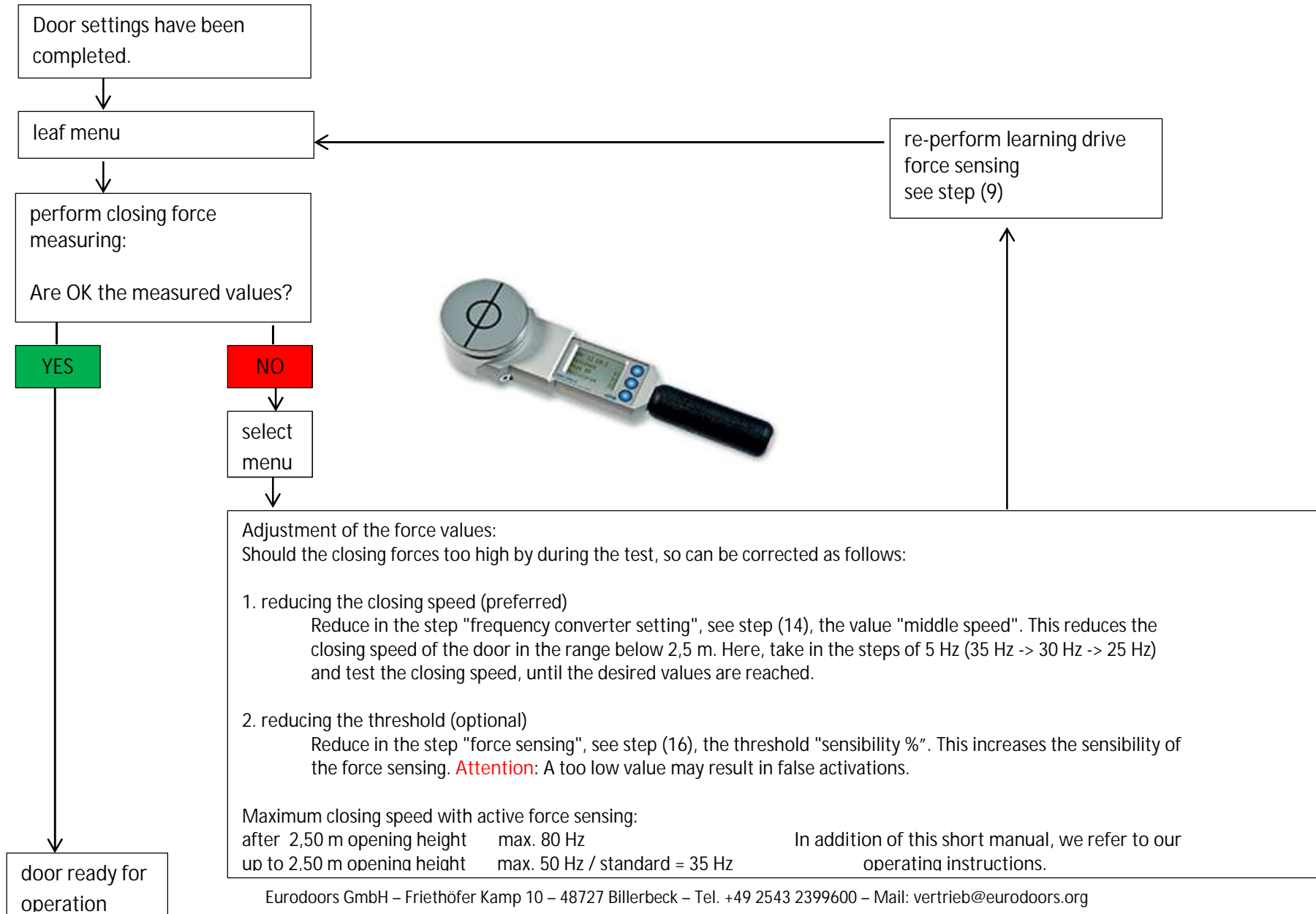
(9) learning drive force sensing
(only with profile P1 & P2)



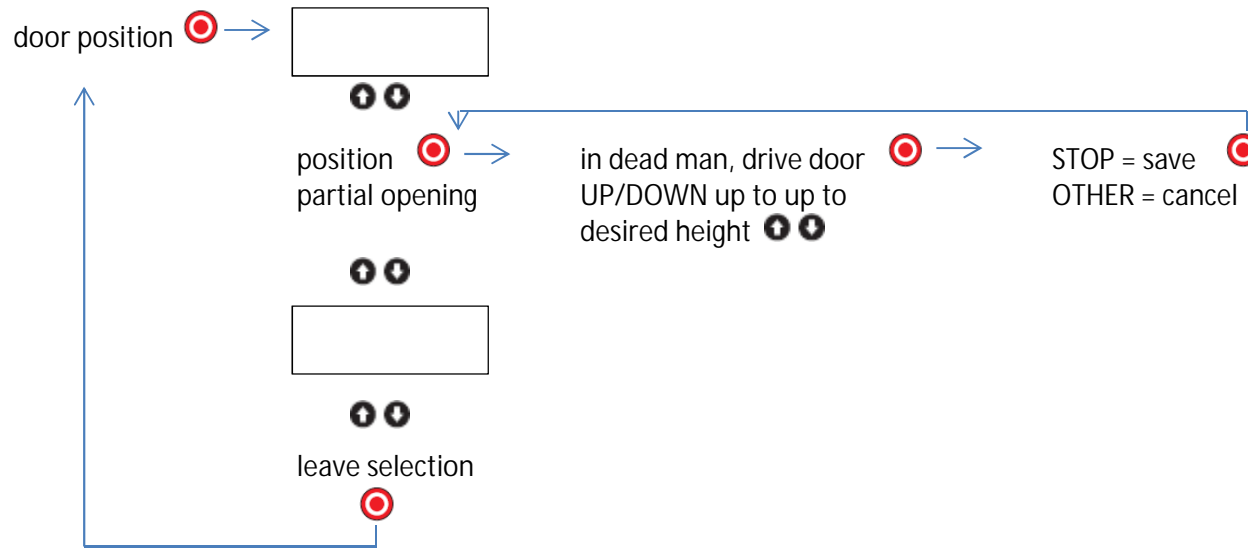
(10) fading out the light barrier in the door frame
 (only necessary with P2 & P4 light barrier in door frame)



(11) force sensing – check closing force
(only with P1 & P2)

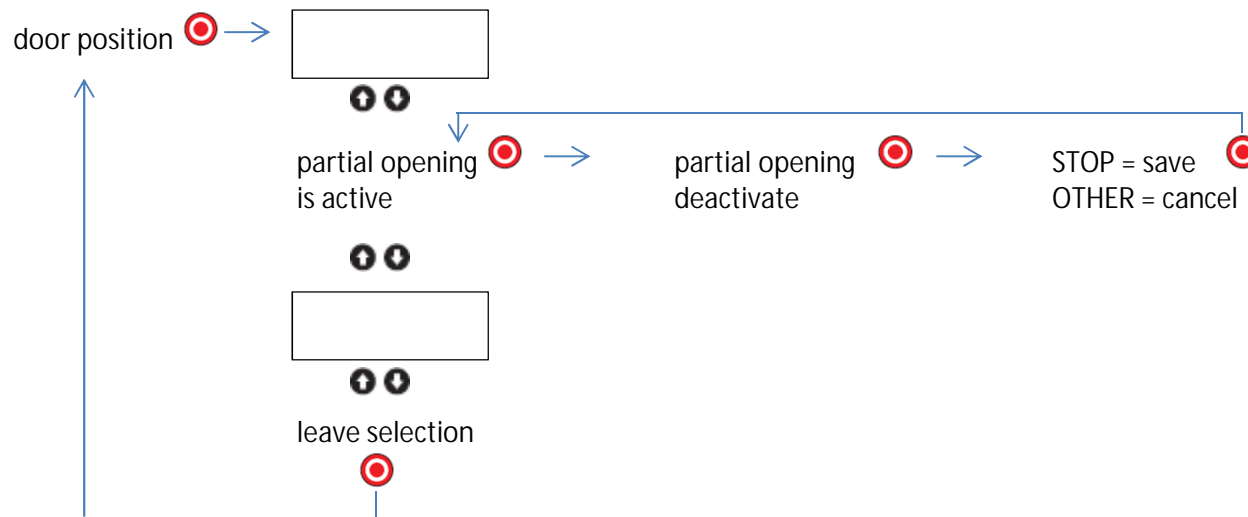


(12)a optional: activate partial opening

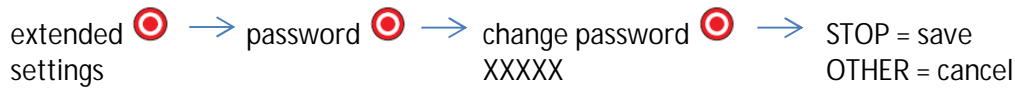


If partial opening active:
 ☰ open to position partial opening
 2x ☰ open the door complete

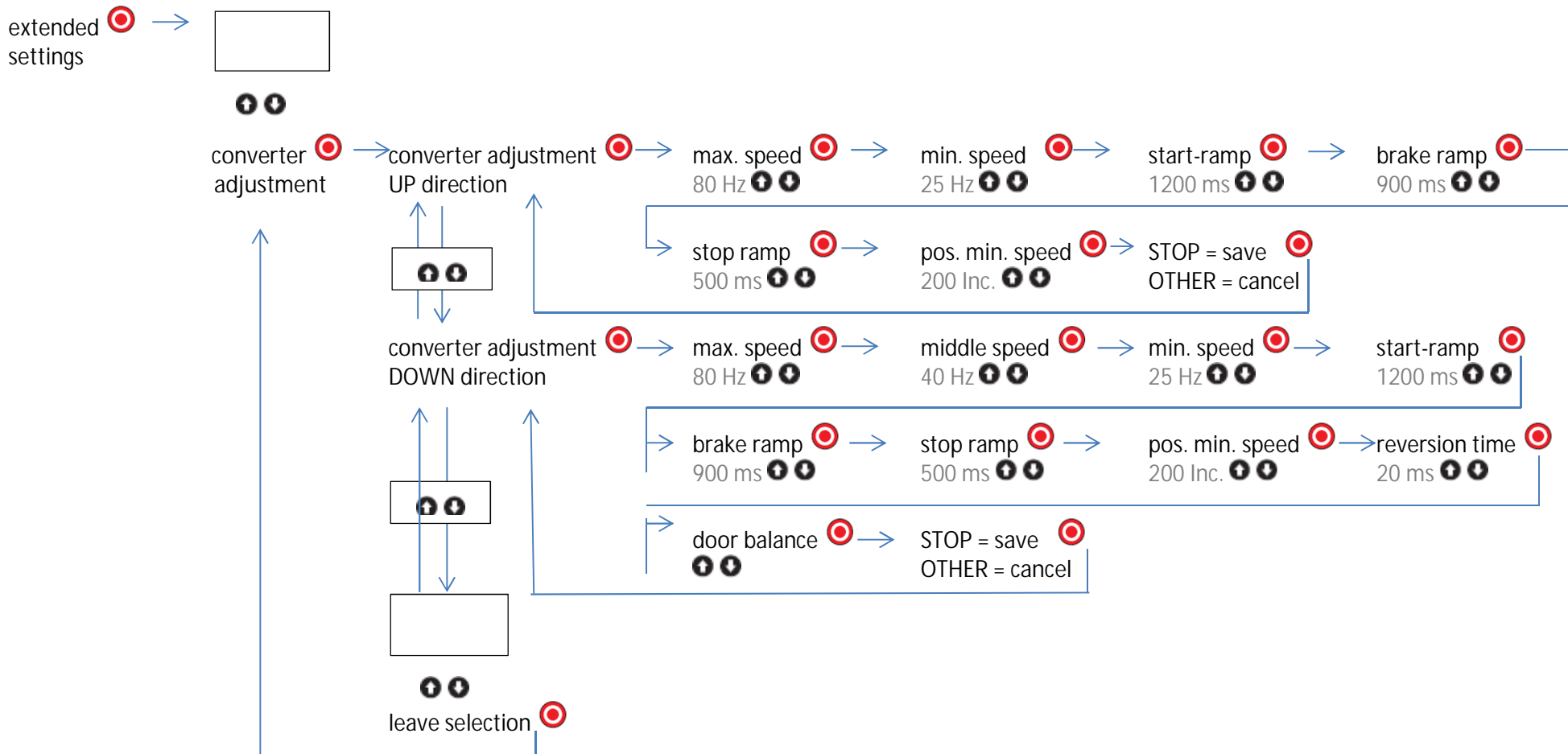
(12)b optional: deactivate partial opening



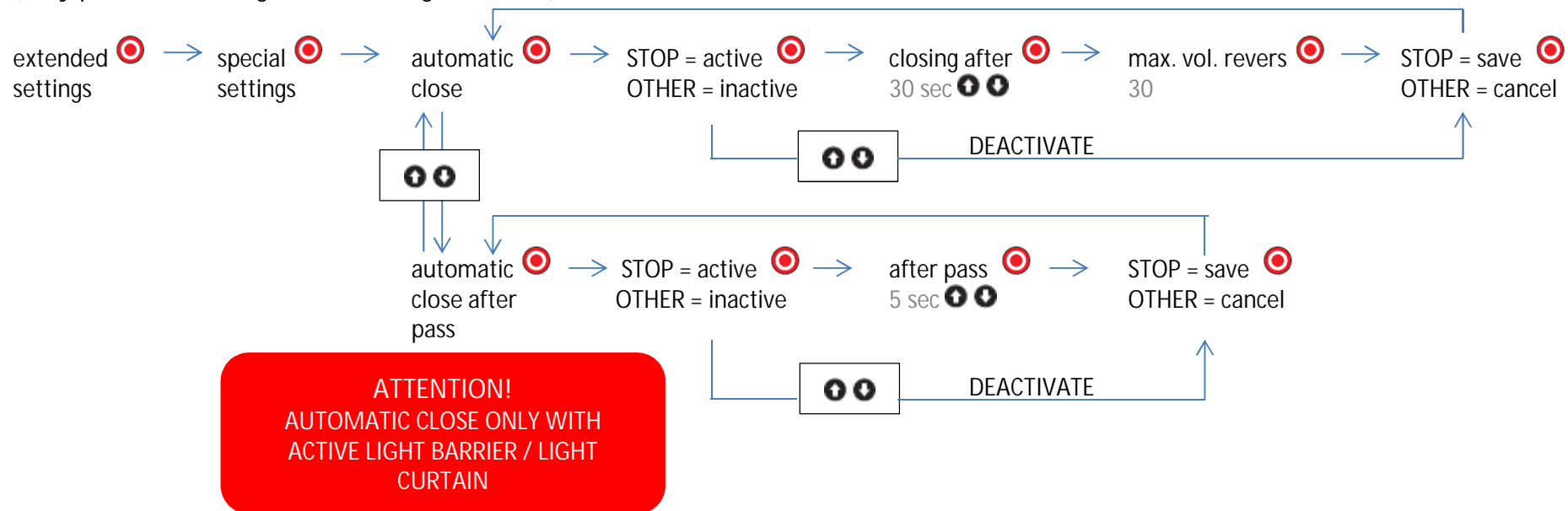
(13) optional: password setting



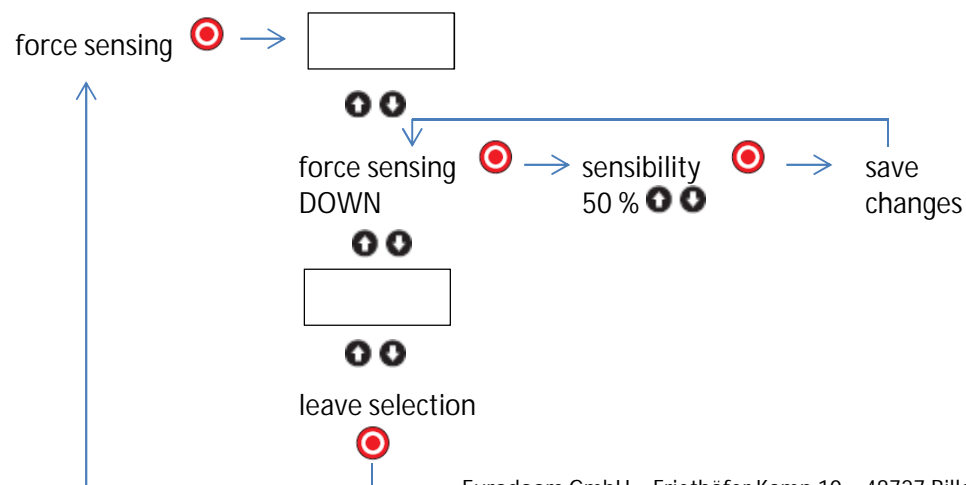
(14) optional: settings frequency converter, adjust speed



(15) optional: automatically close according to time
(only possible with light barrier / light curtain)

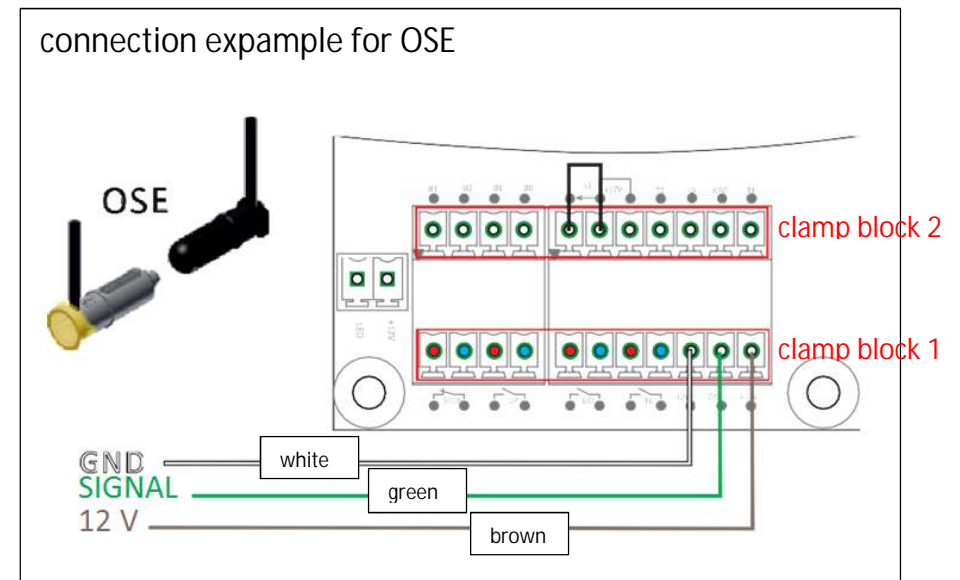
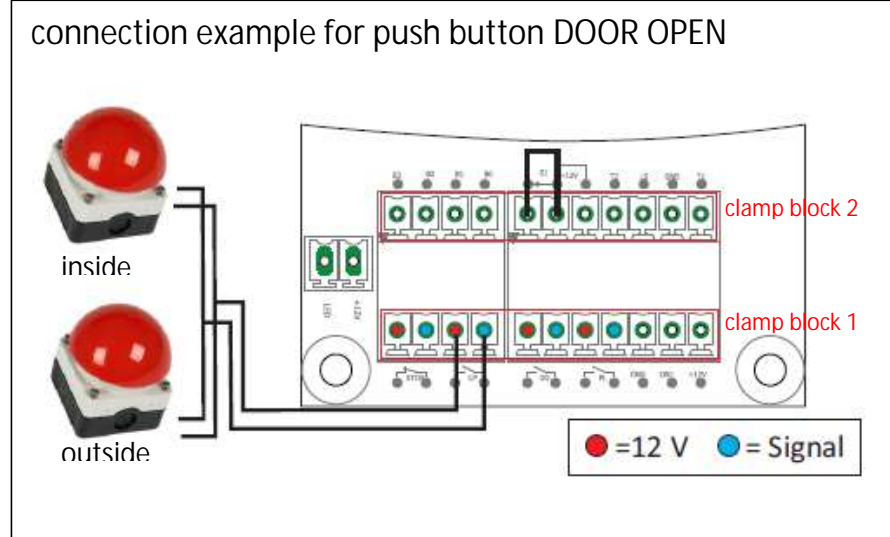
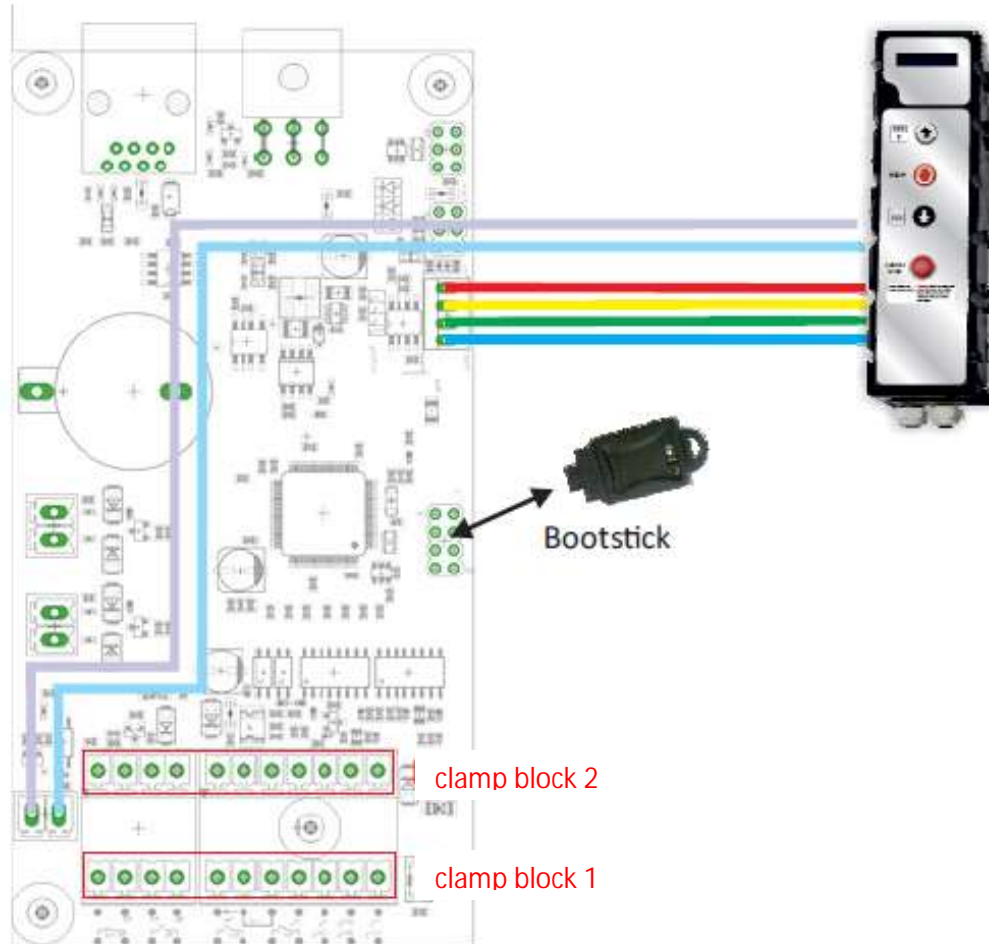


(16) optional: automatically
(only with profile (P1 & P2))

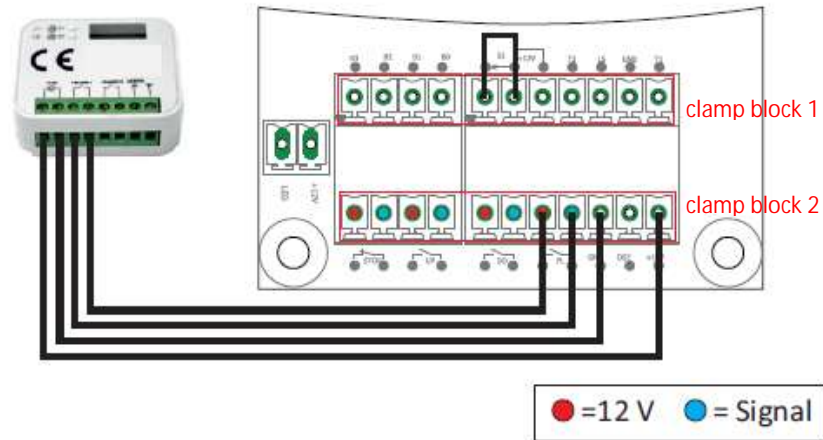


As much lower the threshold value (sensibility %) is set, as much more sensitive the reaction will be of force sensing.

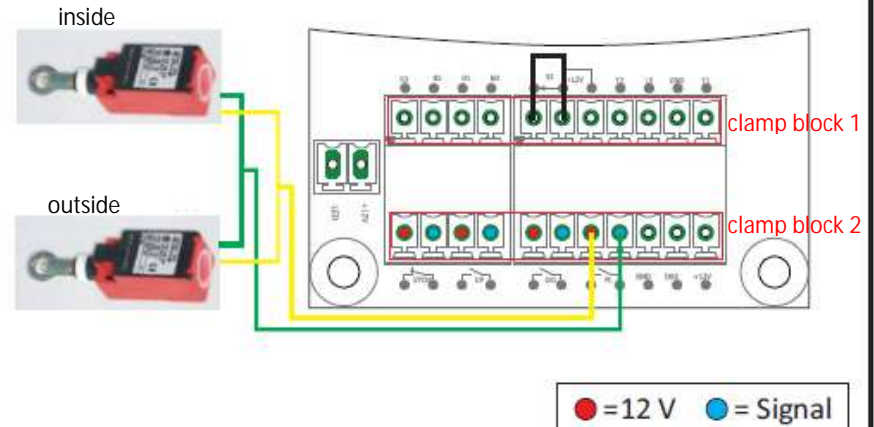
connection example service- and operation unit



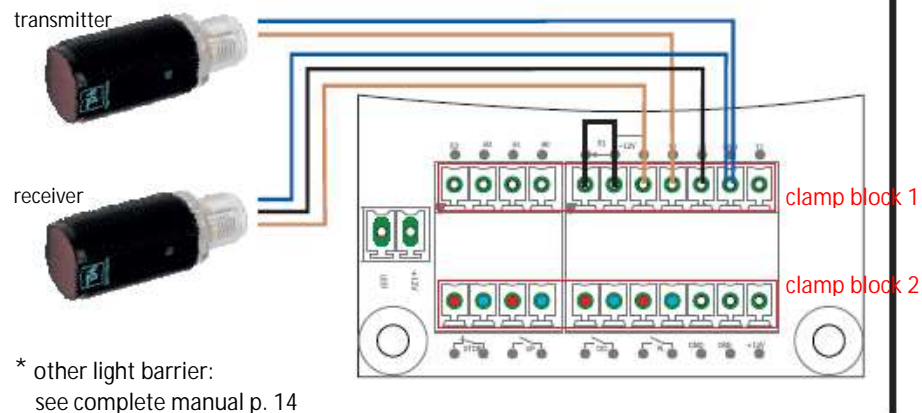
connection example for receiver 1-channel
with sequence control



connection example for pull switch with sequence

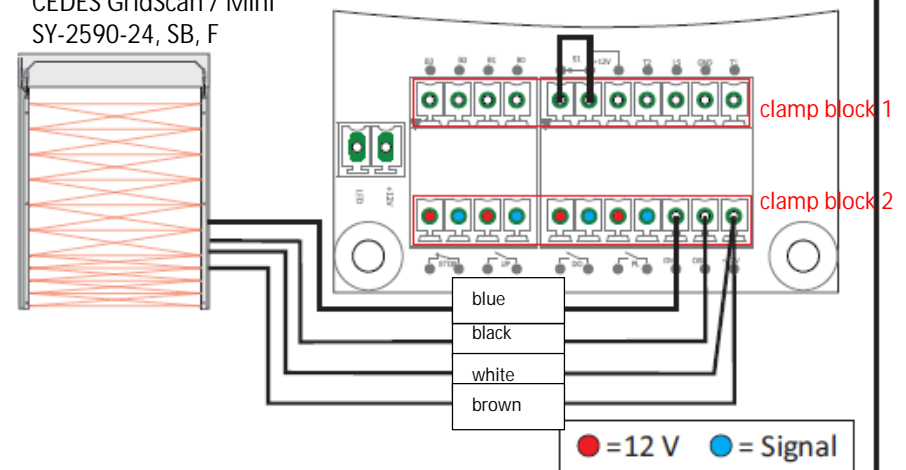


connection example for light barrier
Pepperl & Fuchs GD18/GV18/73/120*
adjustment test: TEST LO

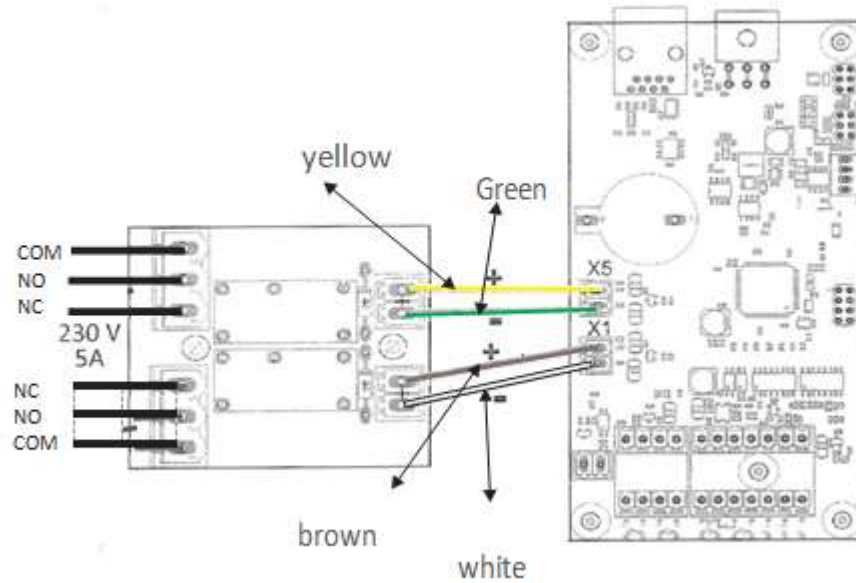


* other light barrier:
see complete manual p. 14

connection example for light curtain
CEDES GridScan / Mini
SY-2590-24, SB, F



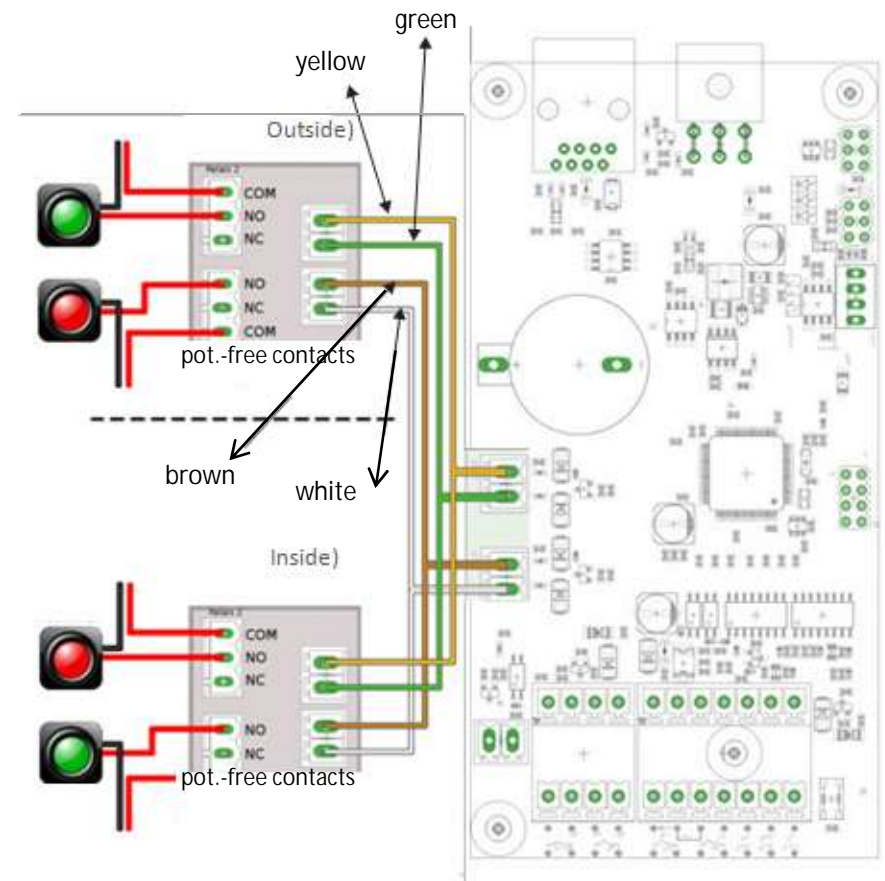
potential free relay in junction box



Maximum load relay: 5A

Connection voltage: 230V

RED – GREEN traffic light



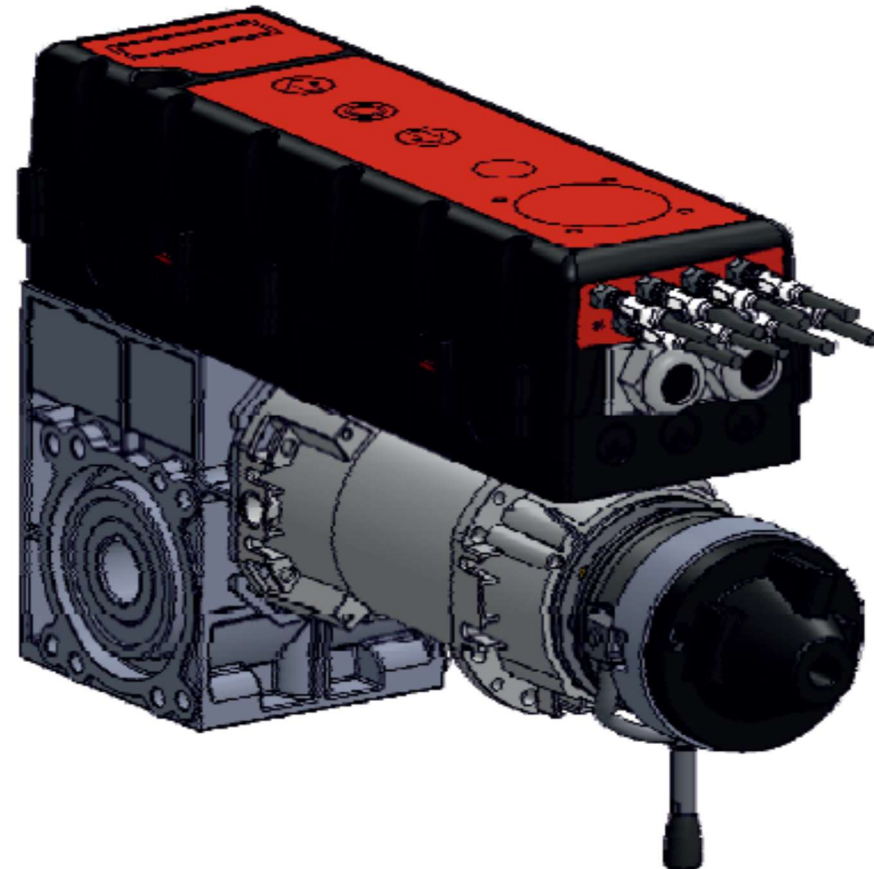
connection to the housing with plug sockets

standard with 3 plug sockets in the drive

- socket for light curtain (red)
- socket for light barrier transmitter (blue)
- socket for light barrier receiver (grey)

complete with 8 plug sockets in the drive

- socket for light curtain (red)
- socket for light barrier transmitter (blue)
- socket for light barrier receiver (grey)
- socket for radar (yellow)
- socket for ext. switch UP/STOP/DOWN (purple)
- socket for pot. free contact (orange)
- socket for pull switch or radio (green)



Note:

For the connection of external products to the housing plug-in sockets, you need a cable (housing plug on open wires, 4-wire)
This can be ordered in lengths of 5 m / 10 m.