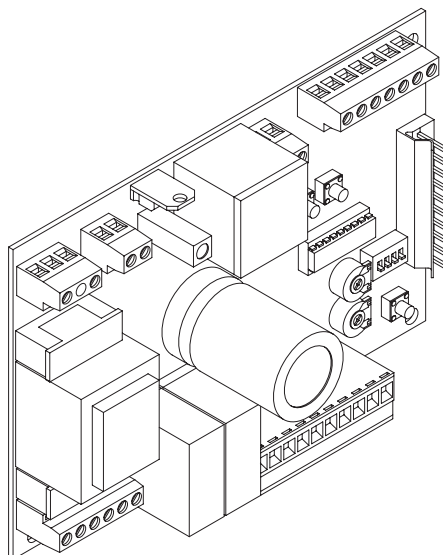


L8542179  
Rev. 11/03/02

# BENINCA®

CENTRALINA A MICROPROCESSORE PER  
**CONTROL UNIT WITH MICROCONTROLLER FOR**  
*MIKROCONTROLLER-STEUERUNG FÜR*  
**CENTRALE A MICROCONTRÔLEUR POUR**  
CENTRALITA A MICROPROCESADOR POR  
CENTRALKA Z MIKROPROCESOREM DLA

## KT3



Libro istruzioni  
**Operating instructions**  
*Betriebsanleitung*  
**Livret d'instructions**  
Libro de instrucciones  
**Książeczka z instrukcjami**



UNIONE NAZIONALE COSTRUTTORI  
AUTOMATISMI PER CANCELLI, PORTE,  
SERRANDE ED AFFINI

**Dichiarazione CE di conformità**  
**EC declaration of conformity**  
**EG-Konformitätserklärung**

**Déclaration CE de conformité**  
**Declaracion CE de conformidad**  
**Deklaracja UE o zgodności**

Con la presente dichiariamo che il nostro prodotto  
We hereby declare that our product  
Hiermit erklaren wir, dass unser Produkt  
Nous déclarons par la présente que notre produit  
Por la presente declaramos que nuestro producto  
Niniejszym oświadczamy że nasz produkt

**KT3**

è conforme alle seguenti disposizioni pertinenti:  
complies with the following relevant provisions:  
folgenden einschlagigen Bestimmungen entspricht:  
correspond aux dispositions pertinentes suivantes:  
satisface las disposiciones pertinentes siguientes:  
zgodny jest z poniżej wyszczególnionymi rozporządzeniami:

Direttiva sulla compatibilità elettromagnetica (89/336/  
CCE, 93/68/CEE)  
EMC guidelines (89/336/EEC, 93/68/EEC)  
EMV-Richtlinie (89/336/EWG, 93/68/EWG)  
Directive EMV (89/336/CCE, 93/68/CEE) (Compatibilité  
électromagnétique)  
Reglamento de compatibilidad electromagnética (89/336/  
MCE, 93/68/MCE)  
Wytyczna odnośnie zdolności współdziałania elektromagne-  
tycznego (89/336/EWG, 93/68/EWG)

Direttiva sulla bassa tensione (73/23/CEE, 93/68/CEE)  
Low voltage guidelines (73/23/EEC, 93/68/EEC)  
Tiefe Spannung Richtlinie (73/23/EWG, 93/68/EWG)  
Directive bas voltage (73/23/CEE, 93/68/CEE)  
Reglamento de bajo Voltaje (73/23/MCE, 93/68/MCE)  
Wytyczna odnośnie niskiego napięcia (73/23/EWG, 93/  
68/EWG)

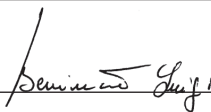
Norme armonizzate applicate in particolare:  
Applied harmonized standards, in particular:  
Angewendete harmonisierte Normen, insbesondere:  
Normes harmonisée utilisées, notamment:  
Normas armonizadas utilizadas particularmente:  
Normy standard najczęściej stosowane:

Norme armonizzate applicate in particolare:  
Applied harmonized standards, in particular:  
Angewendete harmonisierte Normen, insbesondere:  
Normes harmonisée utilisées, notamment:  
Normas armonizadas utilizadas particularmente:  
Normy standard najczęściej stosowane:

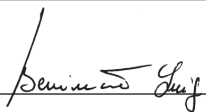
EN 55022, EN 61000-3-2, EN 61000-3-3, EN 50082-1

EN 60204-1, EN 60335-1

Data/Firma

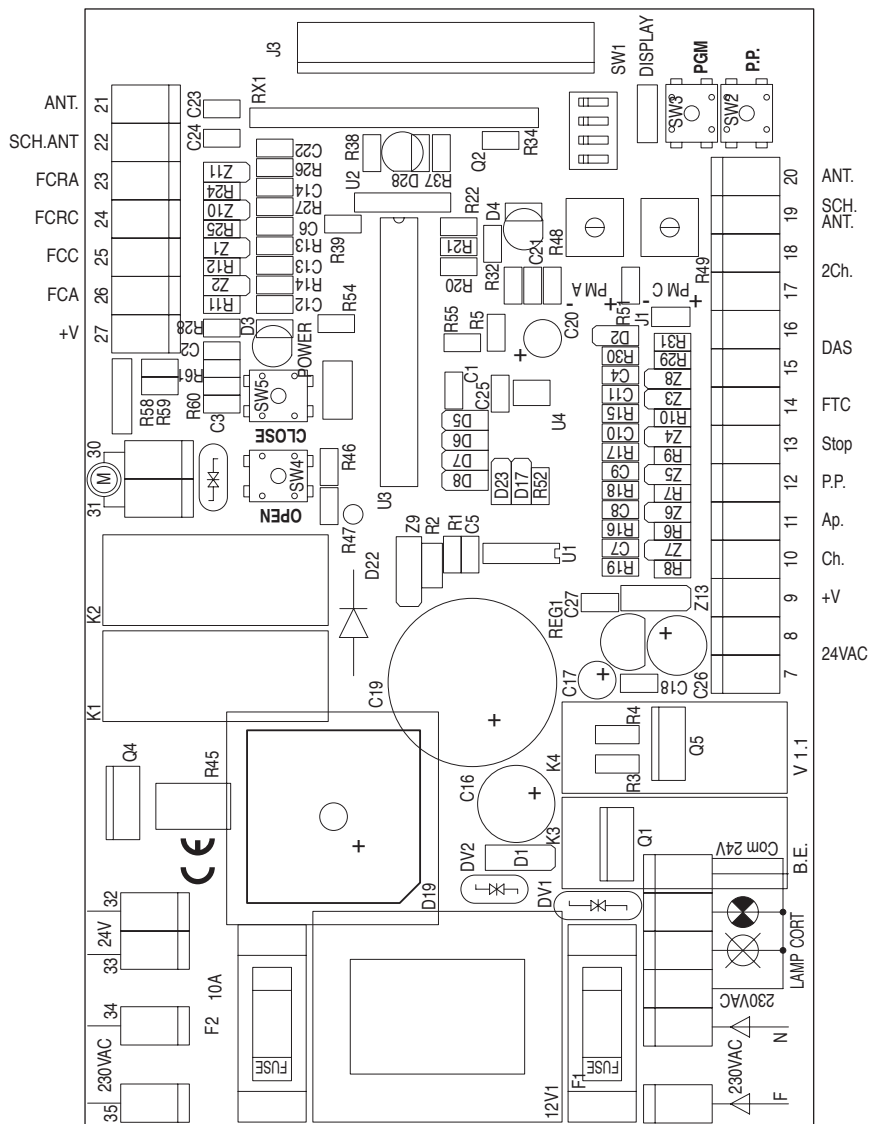


Data/Firma



**BENINCA®**

Automatismi Benincà Srl  
Via Capitello, 45  
36066 Sandrigo (VI)  
ITALIA



## KT3 Control unit with microcontroller

### Installation instructions.

- a) The electrical installation and functioning logic must comply with current standards.
- b) Keep the power cables (for the motor and power supply) away from the control cables (buttons, photo-cells, radio). To avoid interference use two separate sheaths (see EN 60204-1 15.1.3).
- c) Check all the connections again before supplying voltage.
- d) Check that the Dip-Switch settings are as required.
- e) The Normally Closed contacts which are not in use should be short circuited.
- f) If the direction of the motor rotation is not correct, invert the "OPEN" - "CLOSE" wires of the motor.

### Input/Output functions

- (1,2) Input, 230VAC= Power supply, control unit, 230Vac, 50Hz (Phase= term. 1, Neutral= term. 2).
- (3) Common 230VAC= Terminal common to users with mains power supply (Flashing light and Courtesy light).
- (4) Output, LAMP= To flashing light, 230Vac.
- (5) Output, CORT= To the Courtesy light, 230VAC. For this light a free terminal is connected to the pins near the relay.
- (7,8) Out, 24VAC= Output, auxiliary power supply, 24Vac (1A Max.).
- (9) Output, +V= Output, common to all inputs.
- (10) Input, Close= Contact, N.O.
- (11) Input, Open= Contact, N.O.
- (12) Input, P.P.= Input, Step-by-Step. Connected in parallel to the Output of the radio-control. N.O. Contact.
- (13) Input, STOP= Contact, N.C.
- (14) Input, FTC= To be connected to the Output contact of the photocell. N.C. Contact
- (15,16) Input, DAS= Two special inputs are provided for the safety edge. This edge must NOT be connected to the Common terminal\*.
- (21) Input, Antenna.
- (22) Earth, Antenna.
- (23) Input, FCRA= Input, braking limit switch in the opening phase. N.C. Contact.
- (24) Input, FCRC= Input, braking limit switch in the closing phase. N.C. Contact .
- (25) Input, FCC= Input, closure limit switch. N.C. Contact.
- (26) Input, FCA= Input, opening limit switch. N.C. Contact.
- (27) Output, +V= Output, common to all inputs.
- (31,32) Output, Motor= To the motor.
- (33,34) Input, 24VAC= Terminals of the auxiliary of the capacitor, 24Vac.
- (35,36) Output, 230VAC= Terminals of the primary of the capacitor, 24Vac.

- \* The Input of the safety edge is a calibrated resistance input.  
If a resistive safety edge is used, Jumper J1, located near the Input, should be closed.  
If a mechanical safety edge is used, Jumper J1, located near the Input, should be open.  
If no safety edge is provided, open the Jumper and short-circuit the two terminals 15 and 16.

**N.B.:** Two dedicated inputs are provided for the safety edge. NEVER CONNECT THE SAFETY EDGE TO THE COMMON TERMINAL

The control unit is equipped with a built-in radio module for the reception of remote control signals with both fixed and variable code, at 433.92MHz frequency.  
To use a remote control it is first necessary to carry out the learning operations. The procedure to store data into memory is described hereunder. The device is able to memorise up to 14 different codes.

### Dip-switch functions

- DSW1** Operating mode for Input, Step-by-Step ("P.P.") and radio control.  
Off= "OPEN" - "STOP" - "CLOSE" sequence  
On= "OPEN" - "CLOSE" - "OPEN" sequence
- DSW2** This enables or disables the automatic closure.  
Off= Automatic closure disabled  
On= Automatic closure enabled
- DSW3** "Multi-flat" function. The "P.P." Input does not cause the motor stop in the opening phase.  
When the opening is completed, the "P.P." Input is enabled for the gate closure.  
Off= Multi-flat function disabled  
On= Multi-flat function enabled
- DSW4** "Forewarning" function.  
The flashing light is switched on 3 seconds before the beginning of each movement.

**Off= Forewarning flashing disabled**

**On= Forewarning flashing enabled**

#### **Trimmer functions**

The trimmers adjust the triggering threshold of the current sensor. A different threshold can be selected in the Opening and Closing phases.

**N.B.:** On opening, if the threshold of intervention of the current sensor is exceeded, the motor stops. On closing, if the threshold of intervention of the current sensor is exceeded, if the motor is decelerating it stops, whereas if it is at the maximum set speed it inverts its direction of movement for 2 sec. and then stops.

#### **Programming of the control unit**

**To erase the remote control codes from memory**

To erase the remote control unit codes from memory power the control unit keeping the programming key PGM pressed. The flashing light and the courtesy light will switch on simultaneously for about 5 seconds. When they switch off the memory is erased.

**To store a new remote control code in memory**

Press the programming key PGM, the courtesy light will start flashing until the new code is received and stored. If, after pressing the key, the courtesy light does not flash, but the flashing light switches on for 5S, this means that memory is full and no other codes can be stored in memory.

To facilitate calibration of the limit switches the motor movement can be directly controlled by pressing the key on the board: the motor causes the movement for as long as the key is kept pressed.

The operating time of the control unit is 45 seconds.

The dwell time for the automatic closure is 15 seconds.

The time for the courtesy light is 80 seconds.

**BENINCA®**

AUTOMATISMI BENINCÀ Srl - Via Capitello, 45 - 36066 Sandrigo (VI) - Tel. 0444 751030 r.a. - Fax 0444 759728

---